

The **Synchronous** Model of Computation

Stavros Tripakis

UC Berkeley

stavros@eecs.berkeley.edu

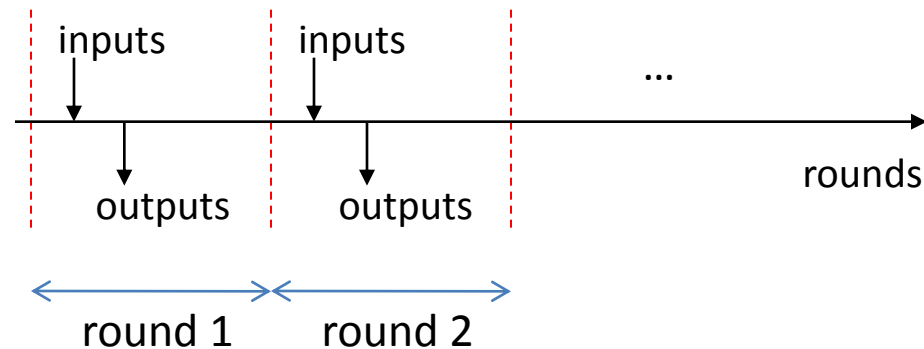
EE 249 Lecture – Sep 9, 2010

Systems

- What is a system?
 - Everything is a system!
 - A system is something that has: inputs, outputs, state; state evolves in time, given (past state and) inputs; outputs are produced from state and inputs, at a given time.
- Real vs. mathematical systems:
 - The latter are models of (real or IMAGINARY) systems
- Synchronous models = models of synchronous systems.
- What does *synchronous* mean?

Fundamental characteristics of the synchronous MoC

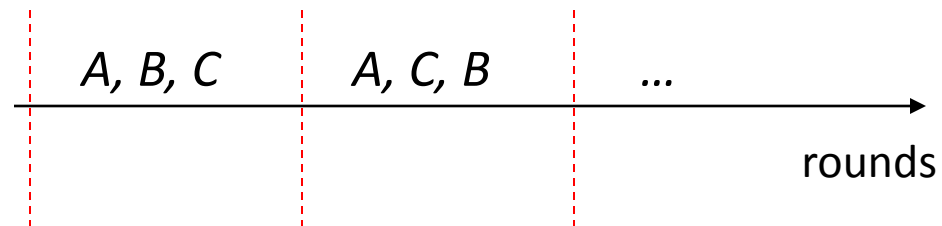
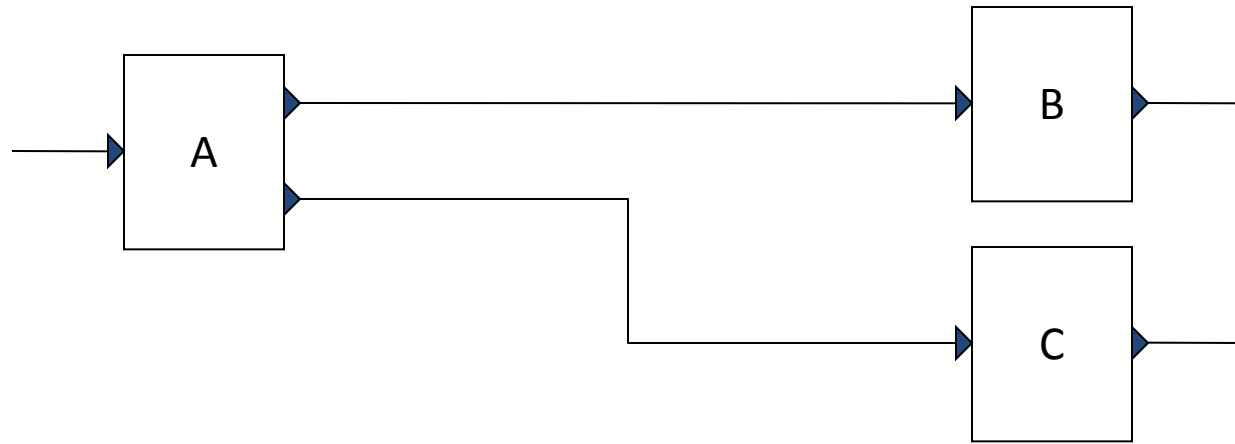
- Notion of *synchronous round* (or *cycle*)



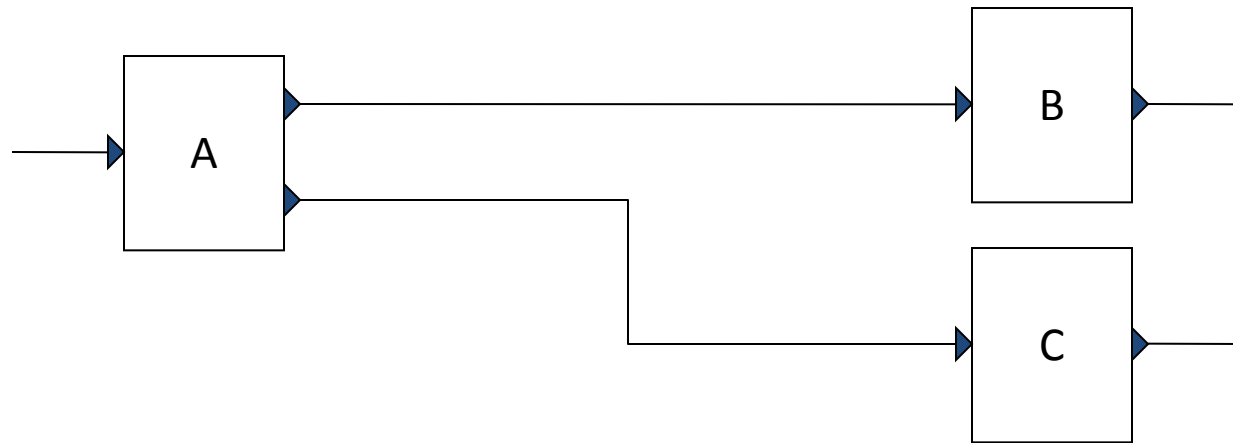
Fundamental characteristics of the synchronous MoC

- Notion of *synchronous round* (or *cycle*)
- Concurrency
- Determinism (most of the time)
 - Same (sequence of) inputs => same (sequence of) outputs
- Contrast this to:
 - Concurrency with threads:
 - Non-deterministic: results depend on interleaving
 - Concurrency in Kahn Process Networks:
 - Asynchronous (interleaving), but still deterministic
 - Needs unbounded buffers in general, for communication

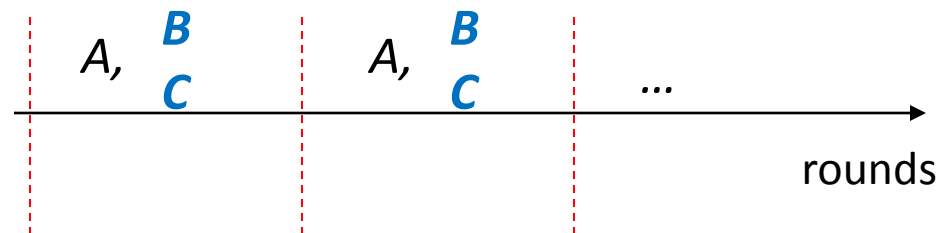
Example: synchronous block diagram



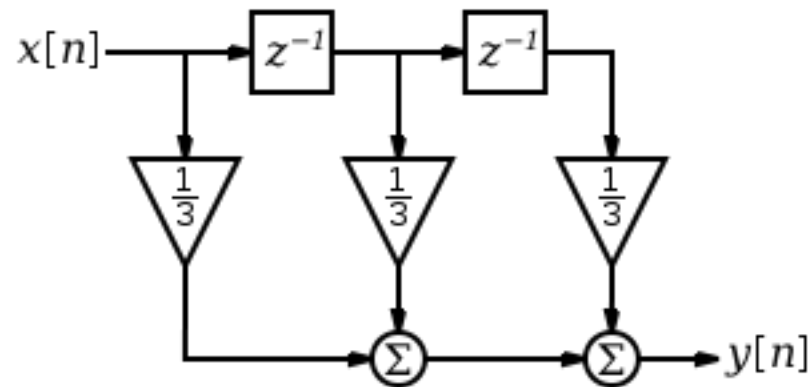
Example: synchronous block diagram



deterministic concurrency



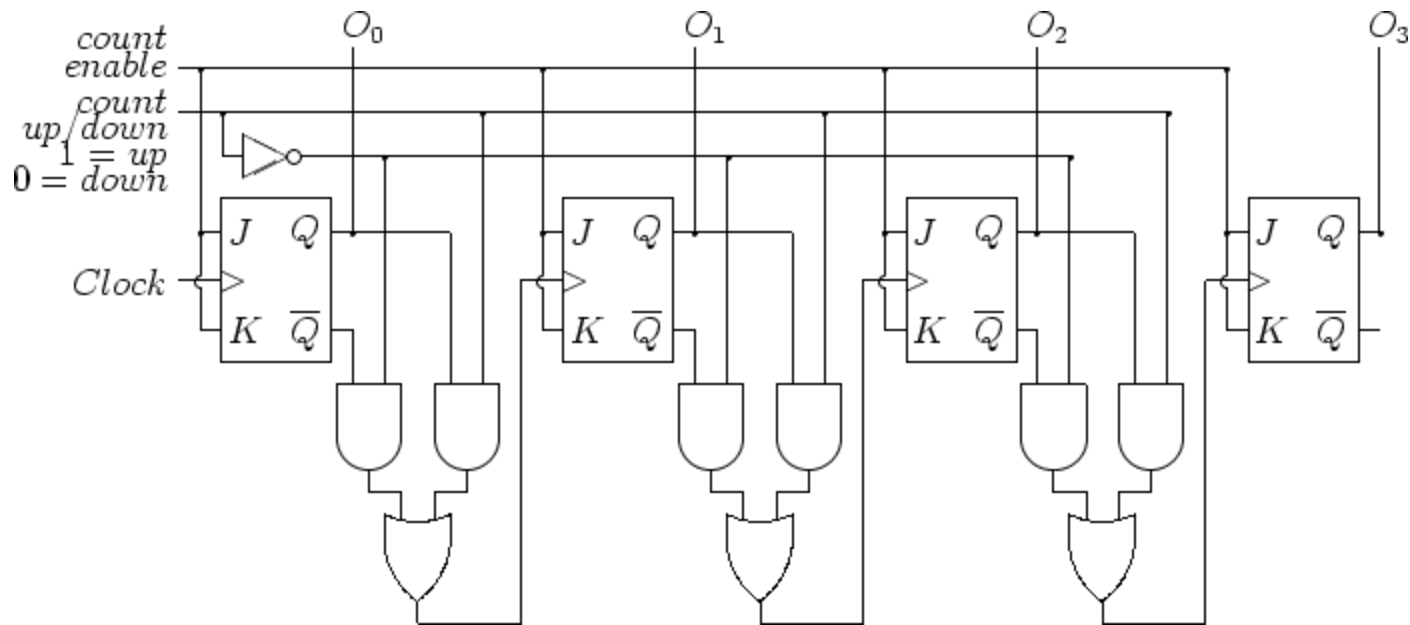
Example: FIR filter



$$y(n) = \frac{1}{3} x(n) + \frac{1}{3} x(n-1) + \frac{1}{3} x(n-2)$$

Where is the synchronous round here?

Example: sequential logic diagram



Where is the synchronous round here?

Example: control loop

```
initialize state;  
while (true) do  
    read inputs;  
    compute outputs;  
    update state;  
    write outputs;  
end while;
```

Where is the synchronous round here?

Example: control loop (v2)

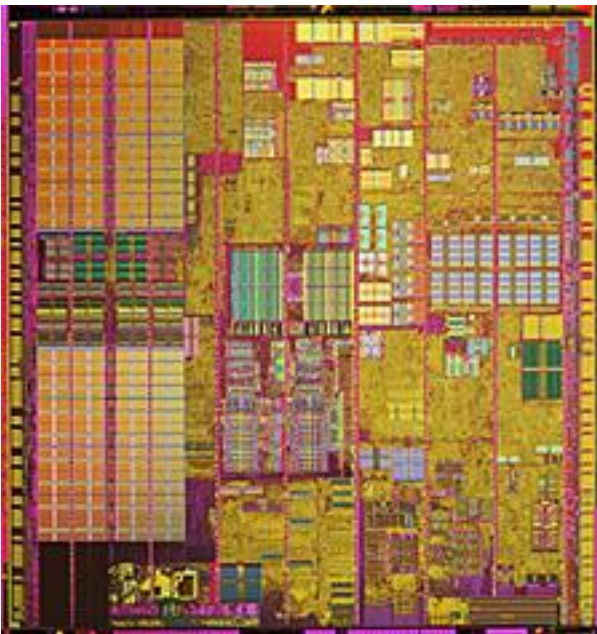
```
initialize state;  
while (true) do  
    await clock tick;  
    read inputs;  
    compute outputs;  
    update state;  
    write outputs;  
end while;
```

Is this an important model of computation?

- Yes!
 - Extremely widespread, both in terms of models/languages, and in terms of applications
- Examples of **applications**:
 - Synchronous digital circuits
 - 99% (?) of control software
 - Read-compute-write control loops
 - Nuclear, avionics, automotive, ...
 - Multimedia, ...

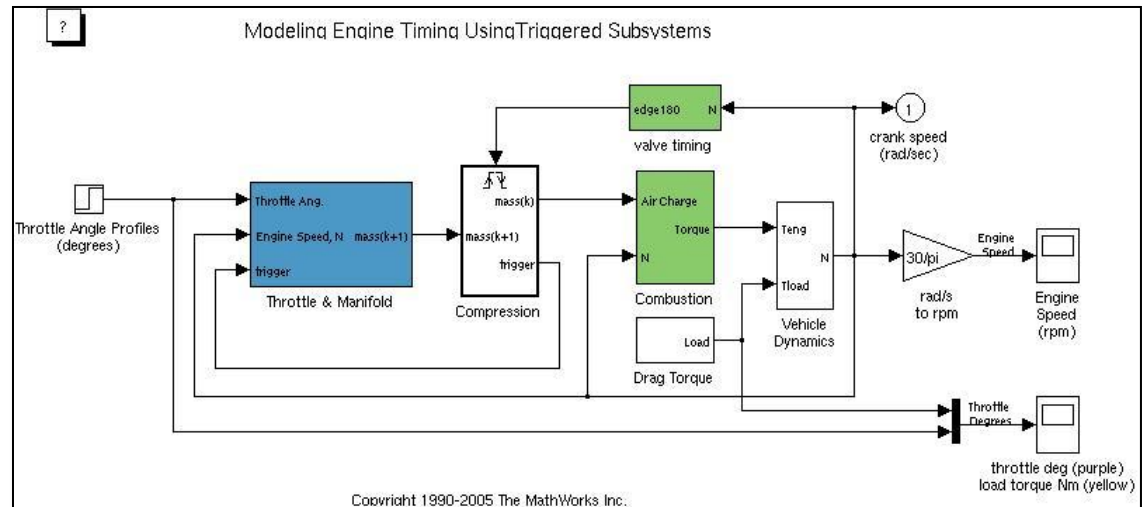
Is this an important model of computation?

HW



SW ++

c.f. Simulink to FPGA,
or to HDL



Engine control model in Simulink

Copyright The Mathworks

Is this an important model of computation?

- Yes!
 - Extremely widespread, both in terms of models/languages, and in terms of applications
- Examples of **models** and **languages**:
 - Mealy/Moore machines
 - Verilog, VHDL, ...
 - (discrete-time) Simulink
 - Synchronous languages
 - (Synchronous) Statecharts
 - The synchronous-reactive (SR) domain in Ptolemy II
 - ...

Myths about synchronous models

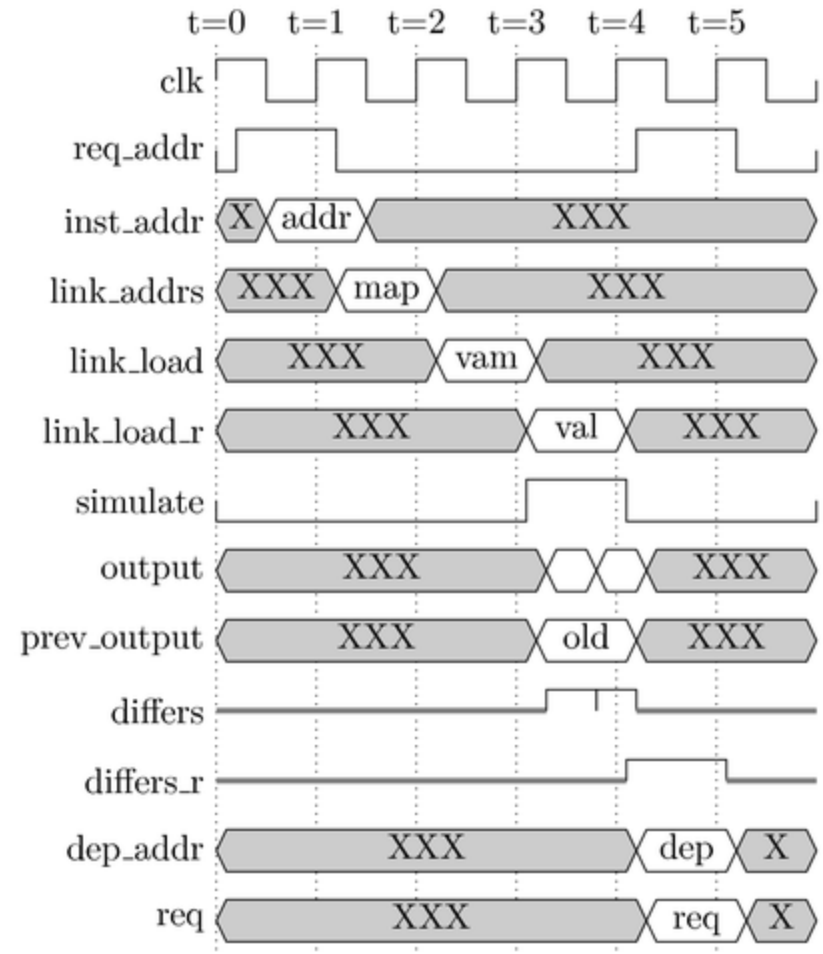
- Synchronous models have **zero-time** semantics
 - Synchronous semantics are essentially **untimed**: they do not have a quantitative notion of time.
 - Famous Esterel statements [Berry-Gonthier '92]:
 - `every 1000 MILLISEC do emit SEC end`
 - `every 1000 MILLIMETER do emit METER end`
 - Synchronous models can capture both **time-triggered** and **event-triggered** systems. E.g.:
 - Do something every 20ms
 - Do something whenever you receive an interrupt from the engine

Example: control loop (v3)

```
initialize state;  
while (true) do  
    await clock tick  
    or any other interrupt;  
    read inputs;  
    compute outputs;  
    update state;  
    write outputs;  
end while;
```

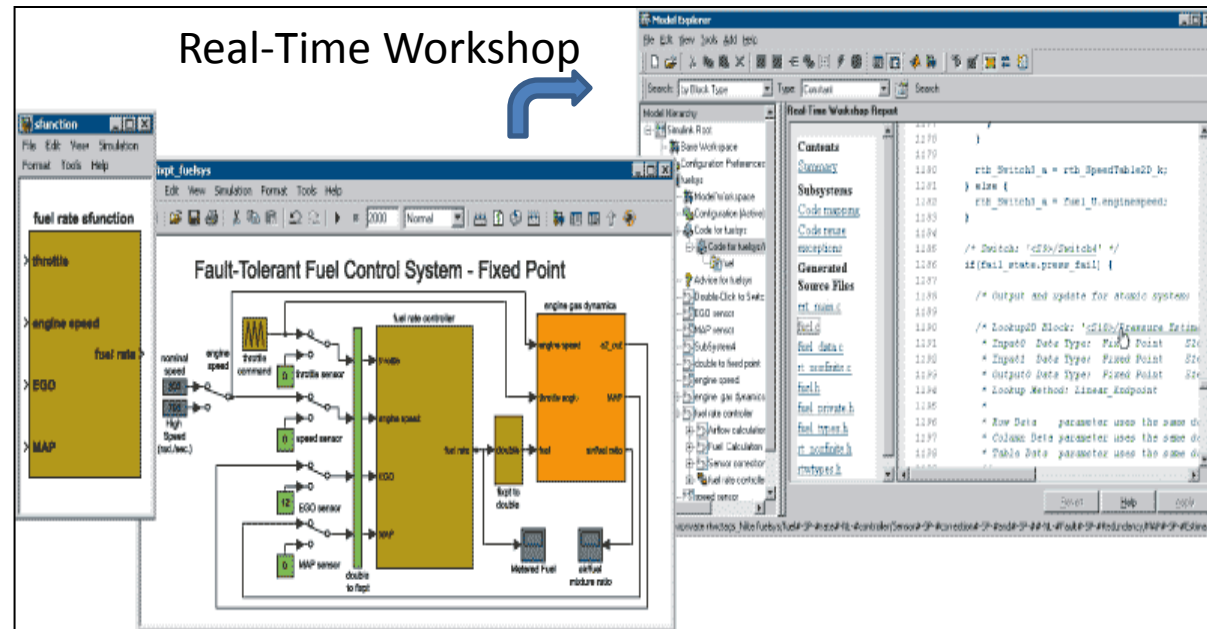
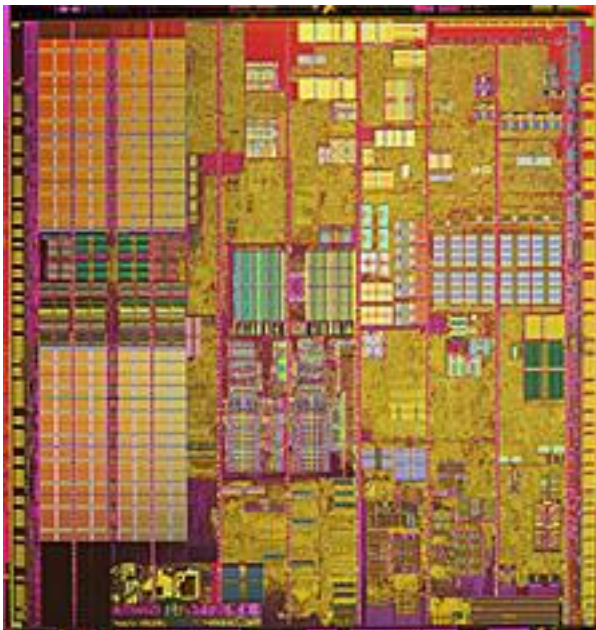
Myths about synchronous models

- But:
 - The synchronous cycles could be interpreted as discrete time: 0, 1, 2, 3, ..., in which case we have a **discrete-time** semantics...
 - ... and this can also be seen as an **abstraction** of **real-time**:
 - C.f. **timing analysis** of digital circuits
 - C.f. **WCET analysis** of synchronous control loops



Myths about synchronous models

- Synchronous models are **non-implementable** (because zero-time is impossible to achieve)
 - ???

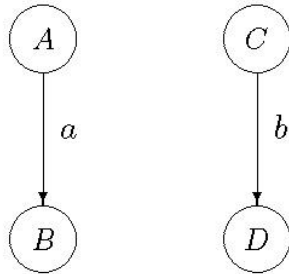


Benefits of synchronous models

- Deterministic:
 - Easier to understand, easier to verify
 - More light-weight than asynchronous:
 - No interleaving => less state explosion
- Simpler SW implementations:
 - No operating system required
 - Static scheduling, no memory allocations, no dynamic creation of processes, ...
- Simpler timing/schedulability analysis
 - Often simpler WCET analysis also: no loops

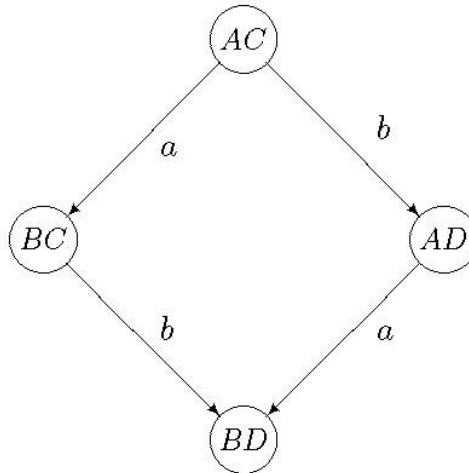
Asynchronous vs. Synchronous Product

component automata



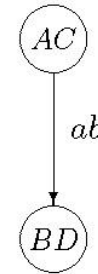
asynchronous

product



synchronous

product



Lecture plan

- Part 1: Single-rate synchronous models
- Part 2: Multi-rate synchronous models
- Part 3: Feedback and Causality

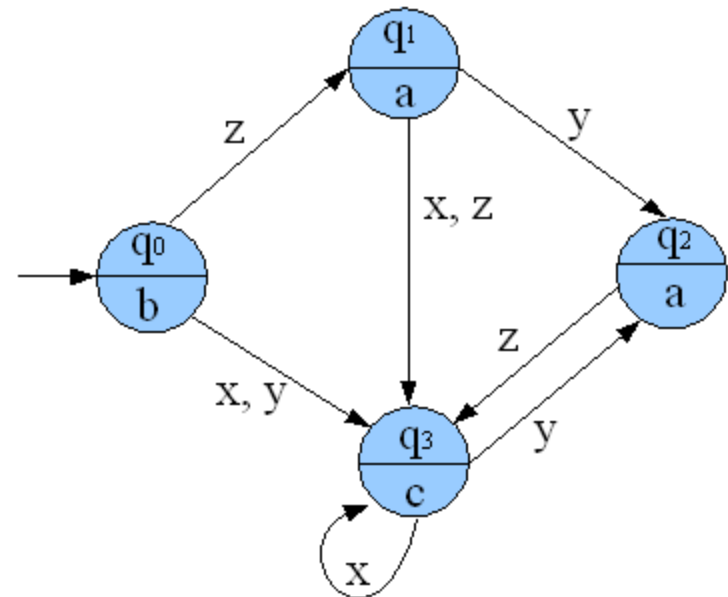
Part 1: Single-rate synchronous models

- Moore/Mealy machines
- Synchronous block diagrams
 - Inspired by discrete-time Simulink, and SCADE
- Lustre
- Esterel

Moore Machines

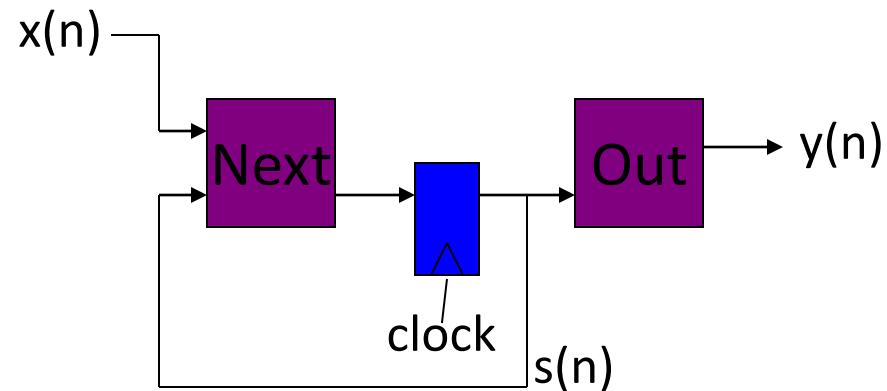
- States: $\{q_0, q_1, q_2, q_3\}$
- Initial state: q_0
- Input symbols: $\{x, y, z\}$
- Output symbols: $\{a, b, c\}$
- Output function:
 - Out : States \rightarrow Outputs
- Transition function:
 - Next: States \times Inputs \rightarrow States

deterministic



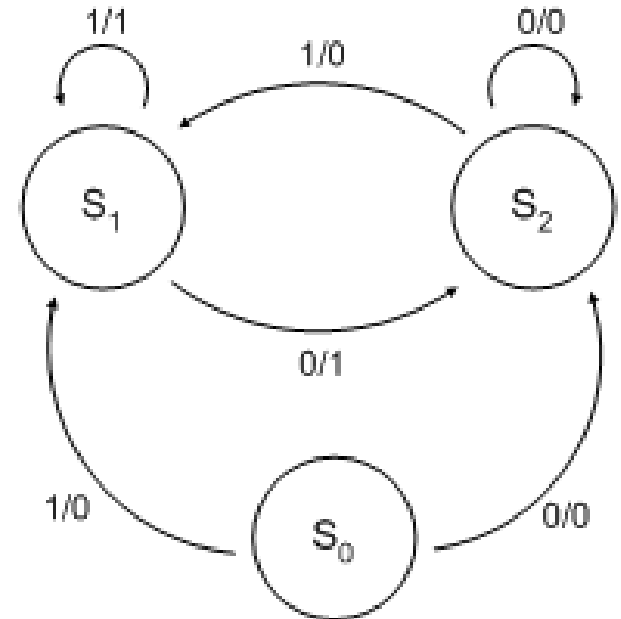
Where is the synchronous round here?

Moore machine: a circuit view



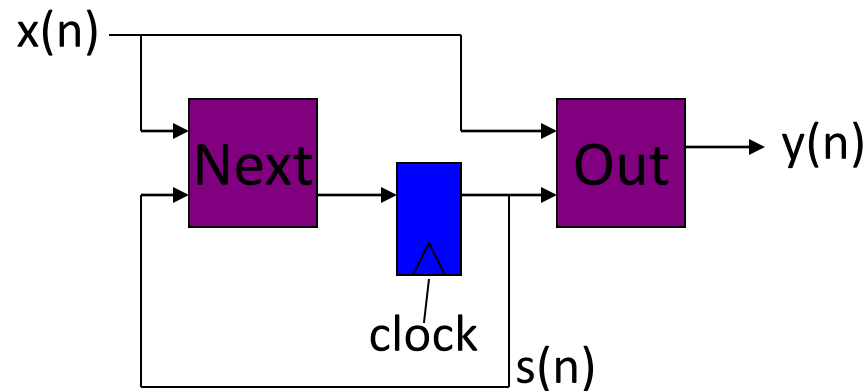
Mealy Machines

- States: $\{S_0, S_1, S_2\}$
- Initial state: S_0
- Input symbols: $\{0,1\}$
- Output symbols: $\{0,1\}$
- Output function:
 - Out : States \times Inputs \rightarrow Outputs
- Transition function:
 - Next: States \times Inputs \rightarrow States



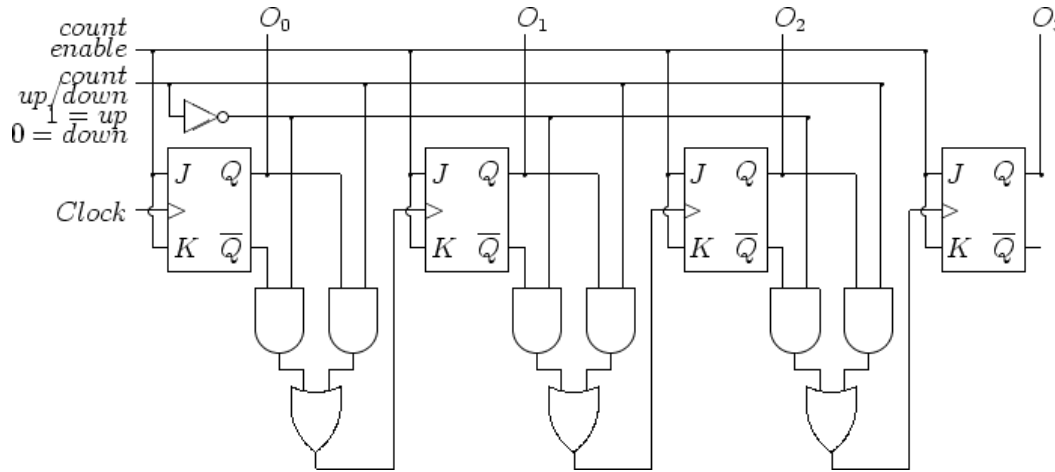
Where is the synchronous round here?

Mealy machine: a circuit view

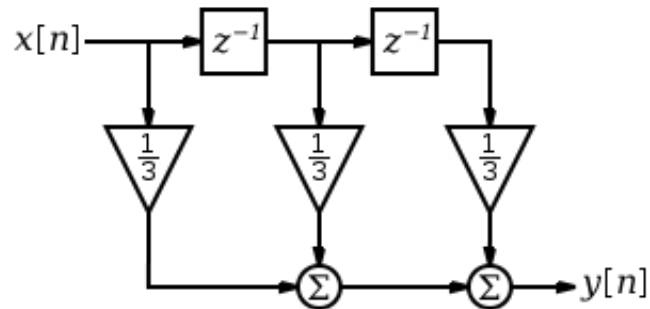


Is this a “purely synchronous” model?

Moore vs. Mealy machines



Moore or Mealy?

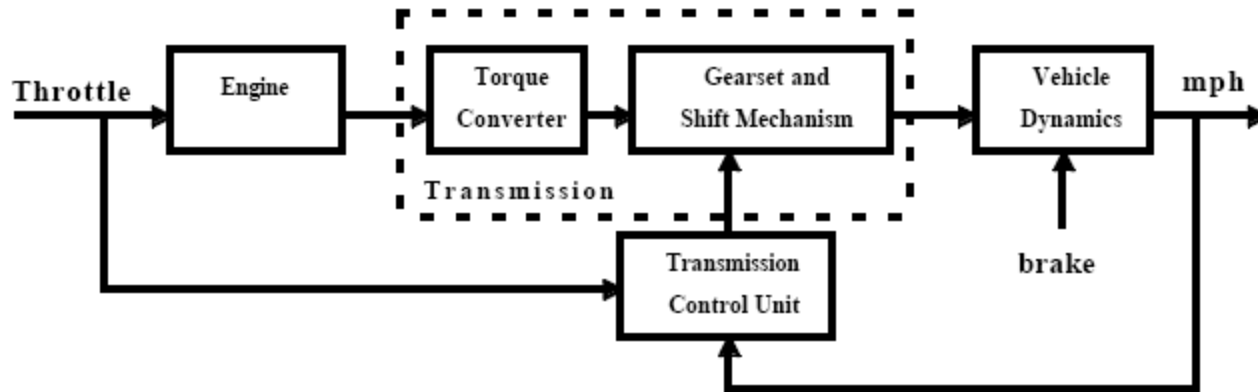


Moore or Mealy?

Moore vs. Mealy machines

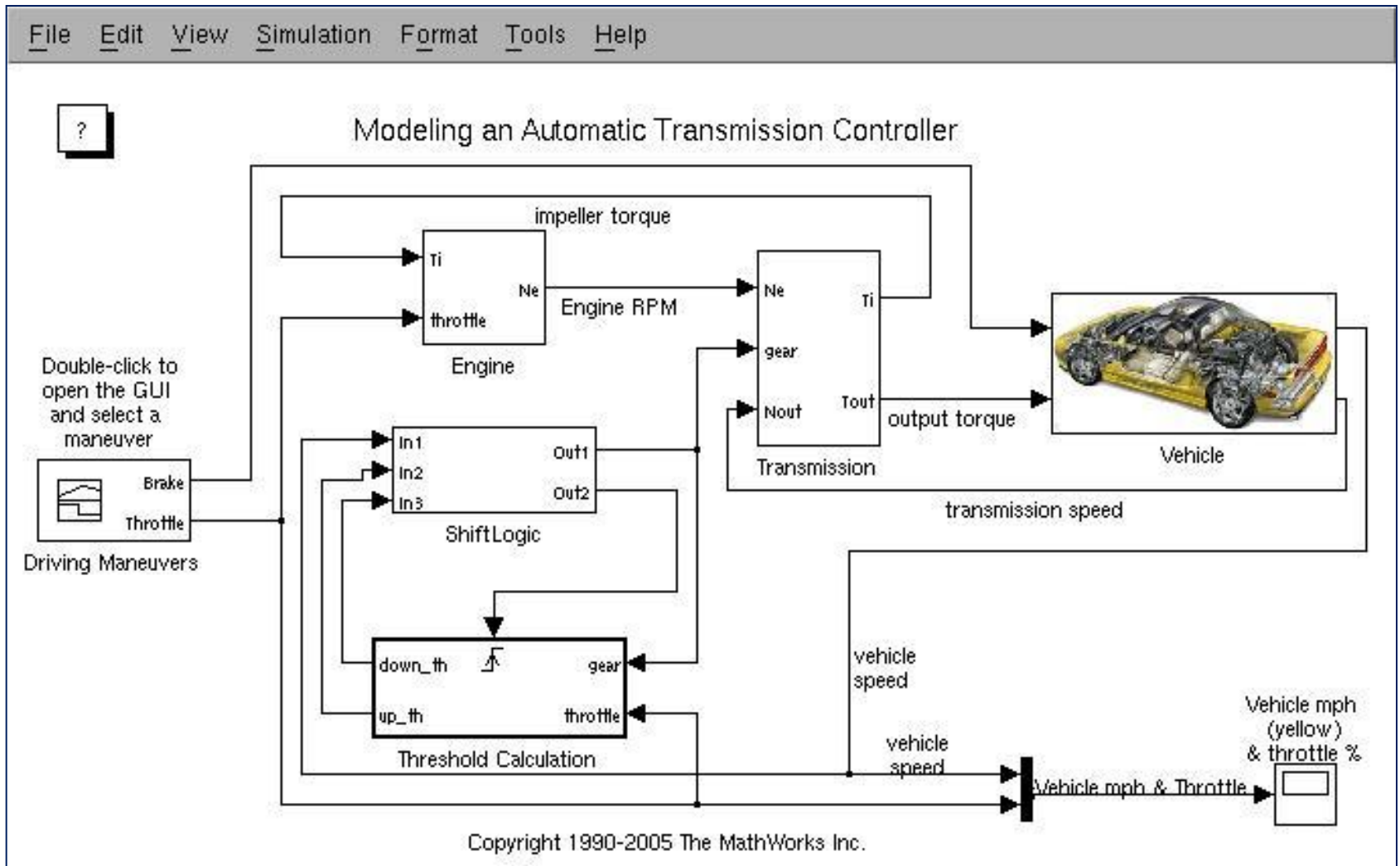
- Every Moore machine is also a Mealy machine
 - Why?
- Is it possible to transform a Mealy machine to a Moore machine?

Synchronous block diagrams

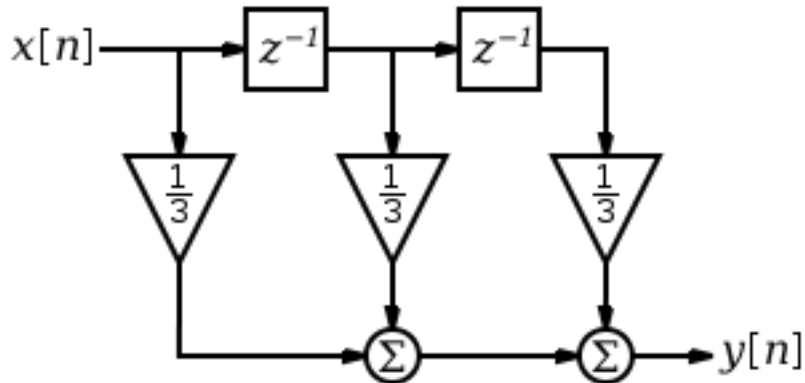


- Physical models often described in continuous-time
- Controller part (e.g., Transmission Control Unit) is discrete-time

Synchronous block diagrams



Example: FIR filter



$$y(n) = \frac{1}{3} x(n) + \frac{1}{3} x(n-1) + \frac{1}{3} x(n-2)$$

$$y(n) = \frac{1}{3} x(n) + \frac{1}{3} S_1(n) + \frac{1}{3} S_2(n)$$

$$S_1(n+1) = x(n)$$

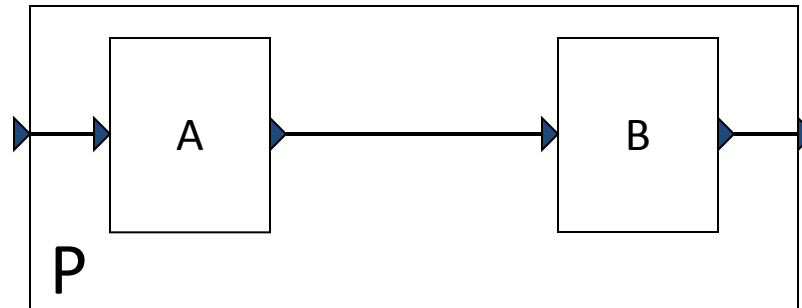
$$S_2(n+1) = S_1(n)$$

$$S_1(0) = \text{initial state}$$

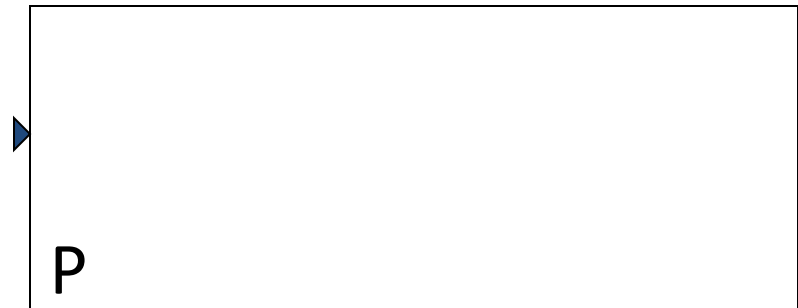
$$S_2(0) = \text{initial state}$$

What is the Mealy machine for this diagram?

Hierarchy in synchronous block diagrams



Hierarchy in synchronous block diagrams



Fundamental modularity concept

Semantics of hierarchical SBDs

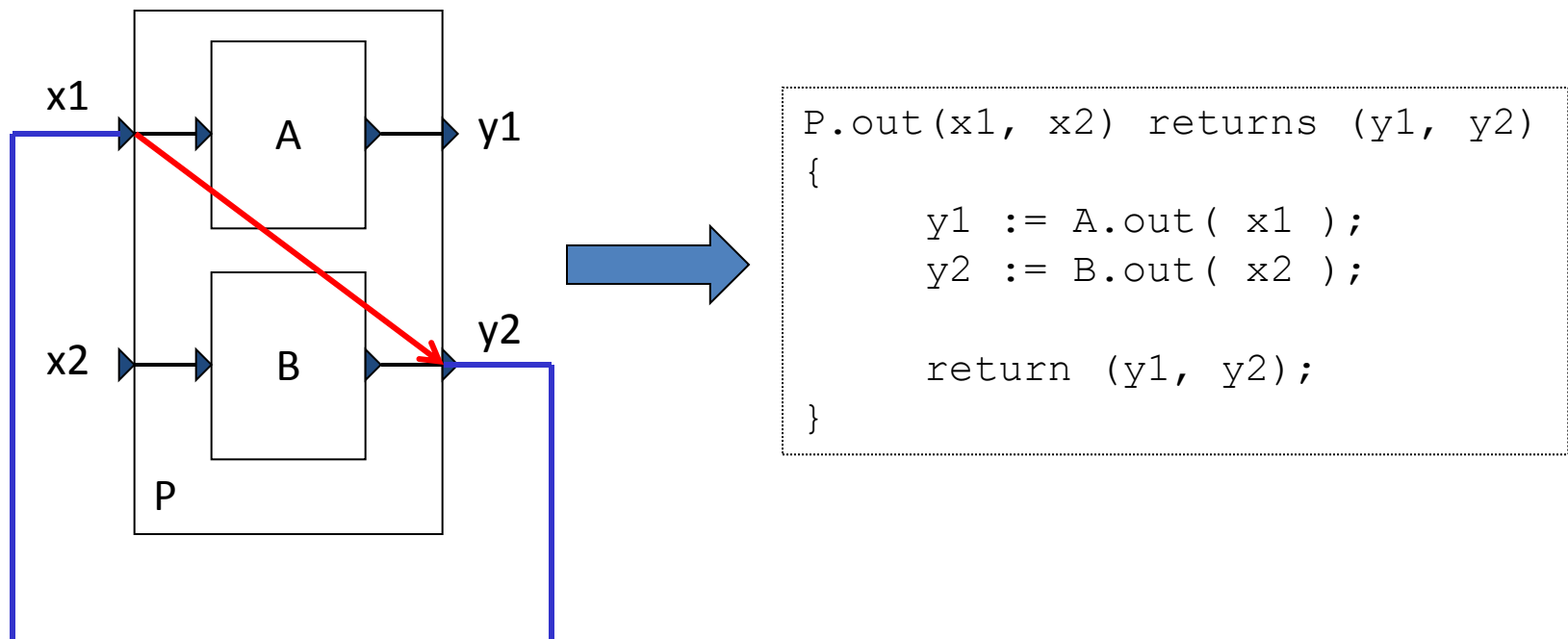
- Can we define the semantics of a composite SBD as a Mealy machine?
 - In particular, with a pair of (Out, Next) functions?

Problem with “monolithic” semantics

False I/O dependencies

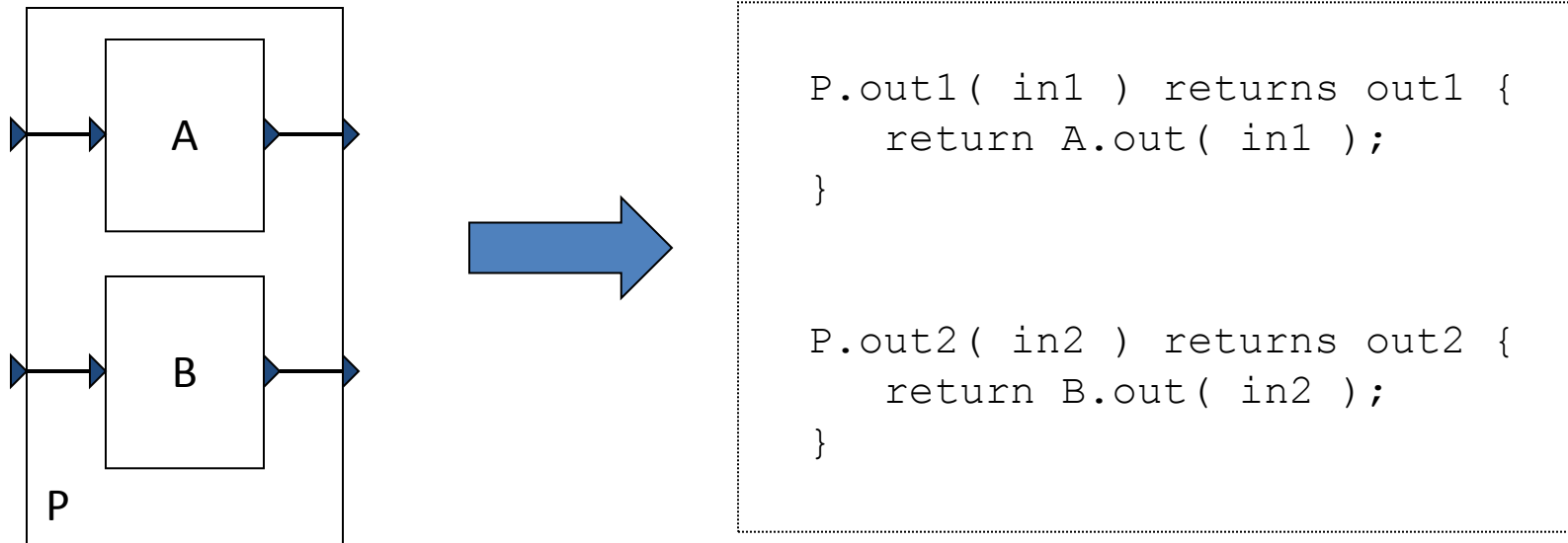
=>

Model not usable in some contexts



Solution

- Generalize from a single, to **MANY** output functions

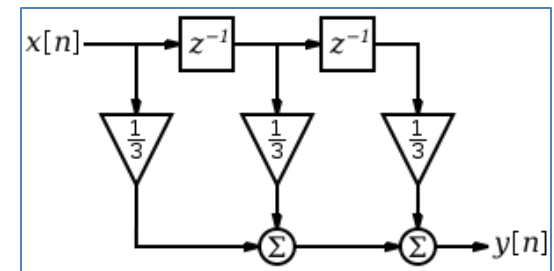


Interesting questions:
How many output functions do we need?
How to compute them?

Lustre

- The FIR filter in Lustre:

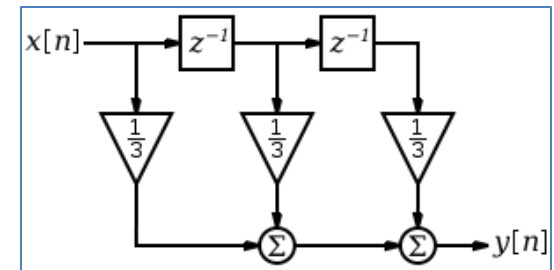
```
node fir (x : real) returns (y : real);
var
  s1, s2 : real;
let
  s1 = 0 -> pre x;
  s2 = 0 -> pre s1;
  y = x/3 + s1/3 + s2/3;
tel
```



Lustre

- The FIR filter in Lustre:

```
node fir (x : real) returns (y : real);  
var  
  s1, s2 : real;  
let  
  s1 = 0 -> pre x;  
  s2 = 0 -> pre s1;  
  y = x/3 + s1/3 + s2/3;  
tel
```



Lustre

- The FIR filter in Lustre:

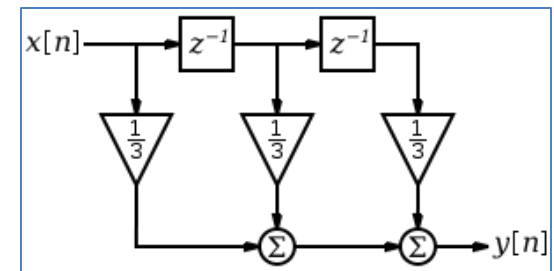
```
node fir (x : real) returns (y : real);
var
  s1, s2 : real;
let
  y = x/3 + s1/3 + s2/3;
  s2 = 0 -> pre s1;
  s1 = 0 -> pre x;
tel
```

What has changed? Is this correct?

Lustre

- The FIR filter in Lustre (no explicit state vars):

```
node fir (x : real) returns (y : real);  
let  
  y = x/3  
  + (0 -> pre x) /3  
  + (0 -> (0 -> pre pre x)) /3;  
tel
```



Exercise

- Write a counter in Lustre

Esterel

- The FIR filter in Esterel:

```
module FIR:
  input  x : double;
  output y : double;

  var s1 := 0 : double, s2 := 0 : double in
  loop
    await x ;
    emit y(x/3 + s1/3 + s2/3) ;
    s2 := s1 ;
    s1 := x ;
  end loop
end var.
```

Esterel

- The FIR filter in Esterel:

```
module FIR:
  input  x : double;
  output y : double;

  var s1 := 0 : double, s2 := 0 : double in
  loop
    await x ;
    emit y(x/3 + s1/3 + s2/3) ;
    s1 := x ;
    s2 := s1 ;
  end loop
end var.
```

What has changed? Is this correct?

Esterel

- A speedometer in Esterel:

```
module SPEEDOMETER:
  input sec, cm;                                % pure signals
  output speed : double;                        % valued signal
loop
  var cpt := 0 : double in
    abort
      loop
        await cm ;
        cpt := cpt + 1.0
      end loop
    when sec do
      emit speed(cpt)
    end abort
  end var
end loop.
```

Lustre

- The speedometer in Lustre:

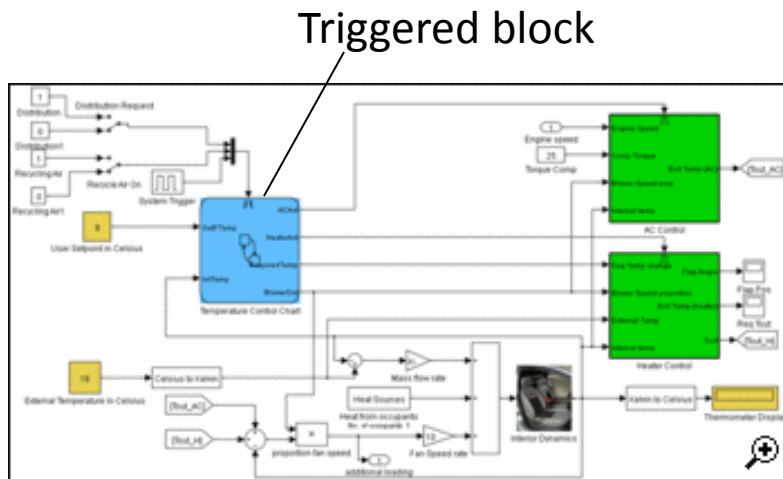
```
node speedometer(sec, cm: bool) returns (speed: real);
var
  cpt1, cpt2 : int;
  sp1, sp2 : real;
let
  cpt1 = counter(cm, sec);
  sp1 = if sec then real(cpt1) else 0.0;
  cpt2 = counter(sec, cm);
  sp2 = if (cm and (cpt2 > 0))
        then 1.0/(real(cpt2))
        else 0.0;
  speed = max(sp1, sp2);
tel
```

Part 2: Multi-rate synchronous models

- Synchronous block diagrams with **triggers**
 - Inspired by discrete-time Simulink, and SCADE
- Lustre with **when/current**
- What about Esterel?

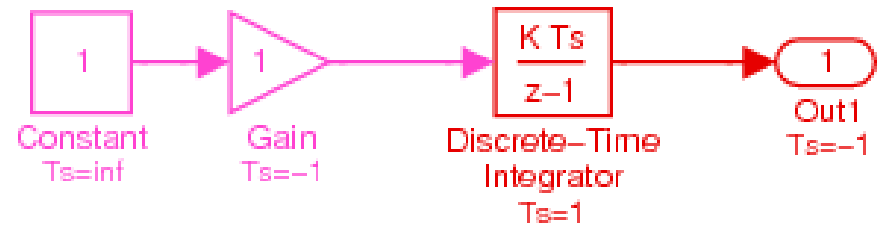
Triggered and timed synchronous block diagrams

- Motivated by Simulink, SCADE



Simulink/Stateflow diagram

Inline Parameters = on

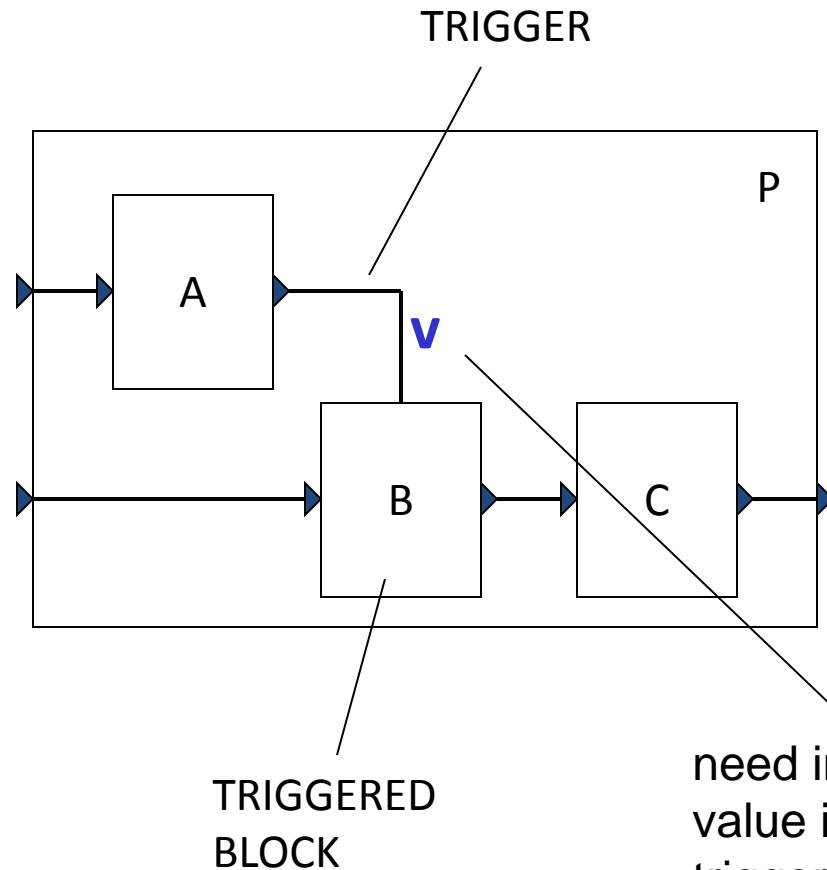


Sample time

Triggered synchronous block diagrams

multi-rate models:

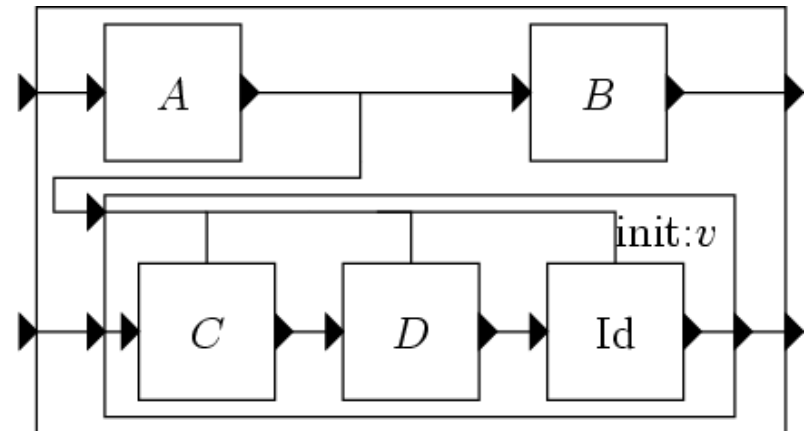
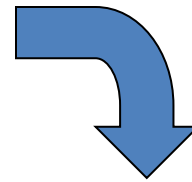
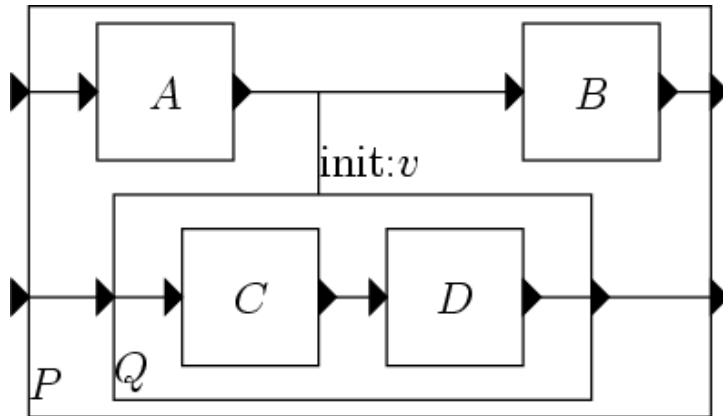
- B executed only when trigger = true
- All signals “present” always
- But not all updated at the same time
- E.g., output of B updated only when trigger is true



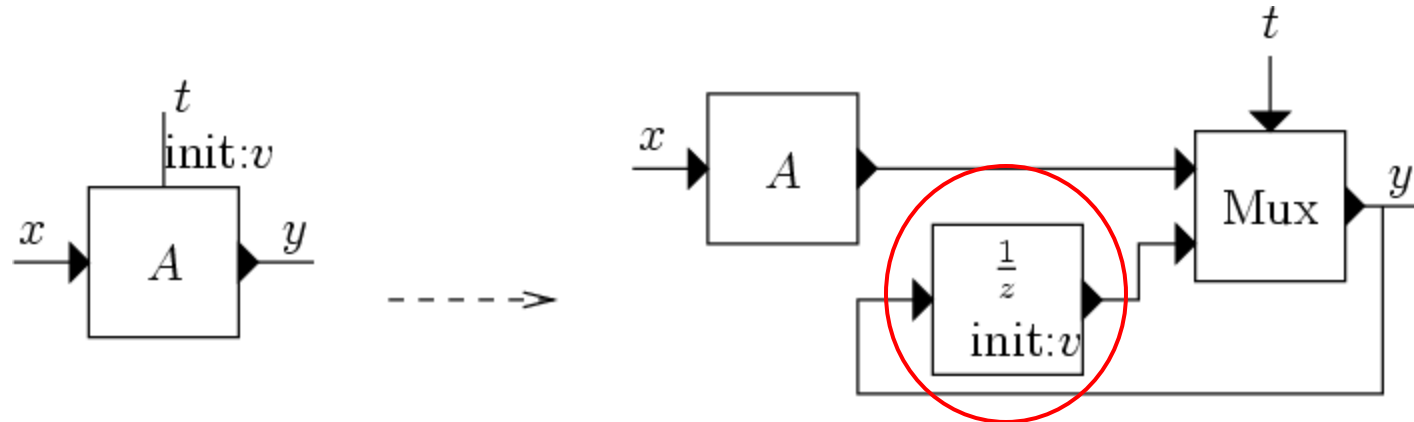
need initial value in case trigger = false at $n = 0$ (initial round)

Question: do triggers increase expressiveness?

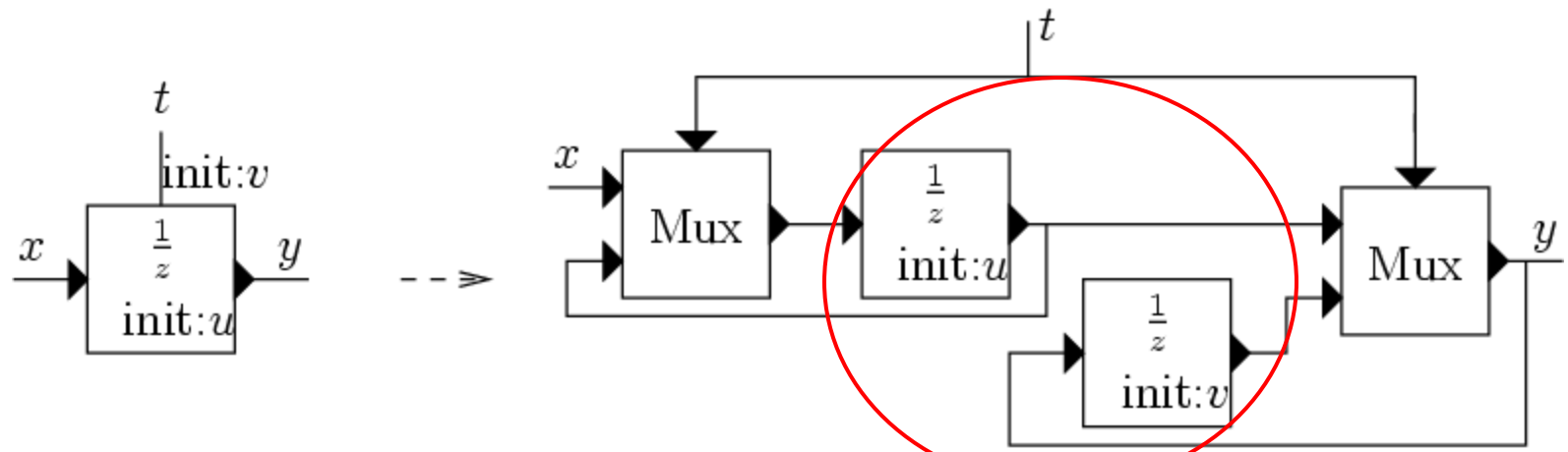
Trigger elimination



Trigger elimination: atomic blocks



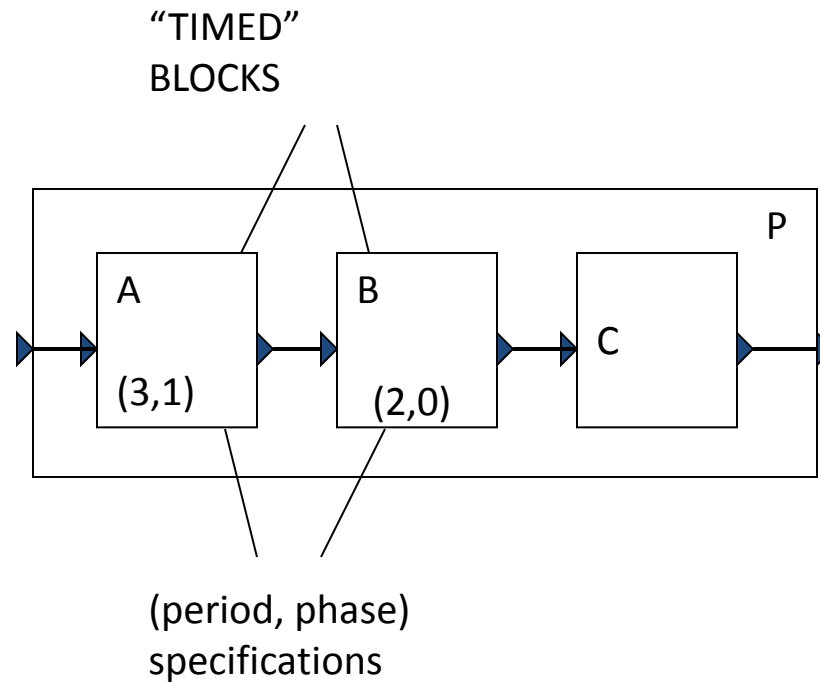
(a) eliminating the trigger from a combinational atomic block



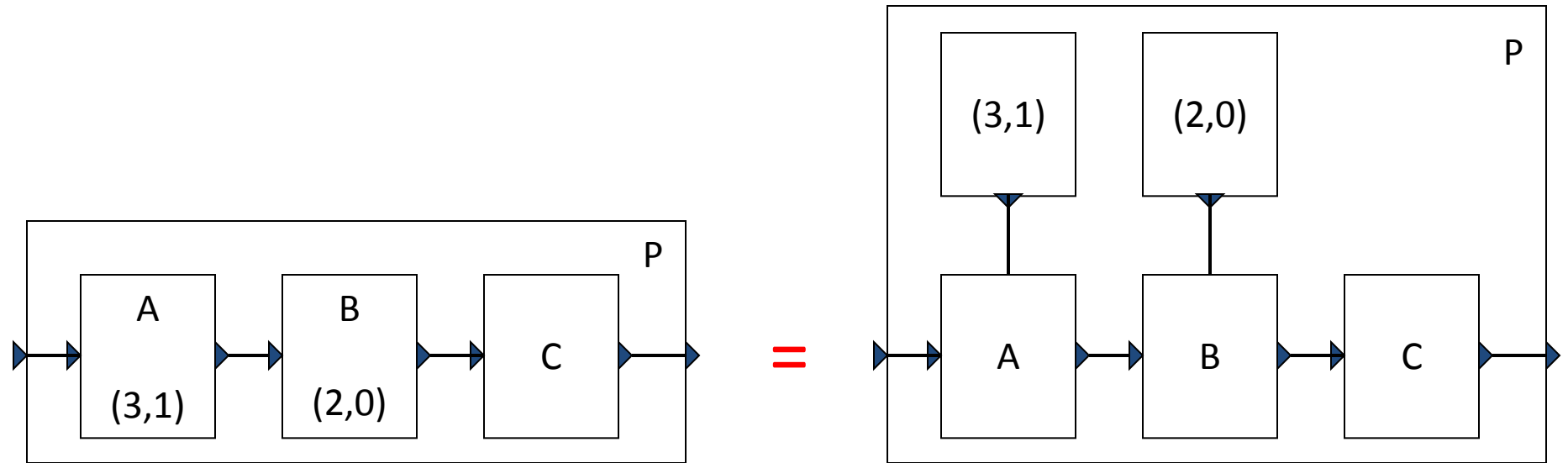
(b) eliminating the trigger from a unit-delay

Timed diagrams

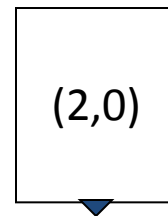
**“static”
multi-rate
models**



Timed diagrams = **statically** triggered diagrams



where



produces: **true, false, true, false, ...**

Multi-clock synchronous programs in Lustre

- Then **when** and **current** operators:

```
node A(x: int, b: bool) returns (y: int);
let
  y = current (x when b);
tel
```

	x:	0	1	2	3	4	5	...
	b:	T	F	T	F	F	T	...
x when b:		0		2			5	...
y:		0	0	2	2	2	5	...

Multi-clock synchronous programs in Lustre

```
node A(x1,x2: int, b: bool) returns (y: int);  
let  
  y = x1 + (x2 when b);  
tel
```

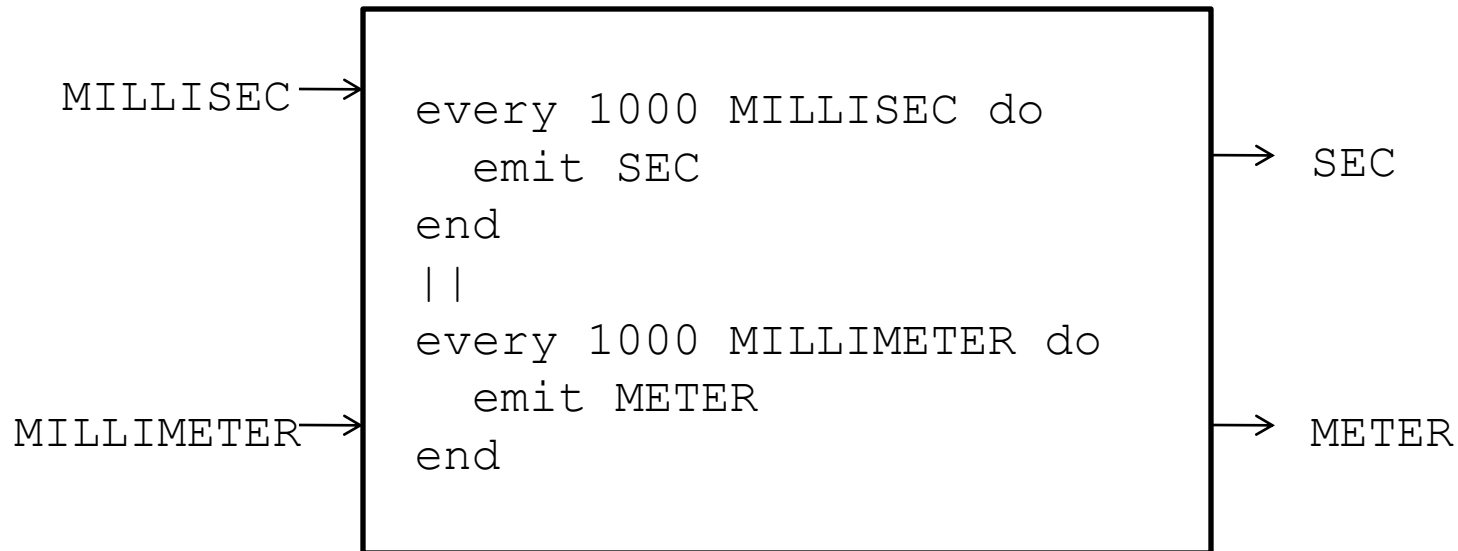
What is the meaning of this program?

Forbidden in Lustre

Multi-clock synchronous programs in Lustre

- In Lustre, every signal has a **clock** = “temporal” type
- The **clock-calculus**: a sort of type checking
 - Only signals with same clock can be added, multiplied, ...
 - How to check whether two clocks (i.e., boolean signals) are the same?
 - Problem undecidable in general
 - In Lustre, check is syntactic

Multi-rate in Esterel



Part 3: Feedback and Causality

- Vanilla feedback:
 - Cyclic dependencies “broken” by registers, delays, ...
- Unbroken cyclic dependencies:
 - Lustre/SBD solution: forbidden
 - Esterel/HW solution: forbidden unless it makes sense
 - Malik’s example
 - Constructive semantics

Feedback in Lustre

```
node counter() returns (c : int);  
let  
  c = 0 -> (pre c) + 1;  
tel
```

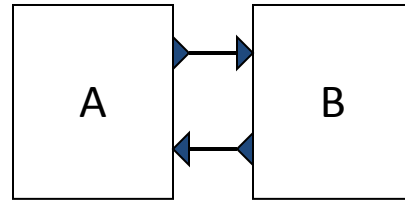
OK

```
node counter() returns (c : int);  
let  
  c = 0 -> c + 1;  
tel
```

Rejected

Feedback in Synchronous Block Diagrams

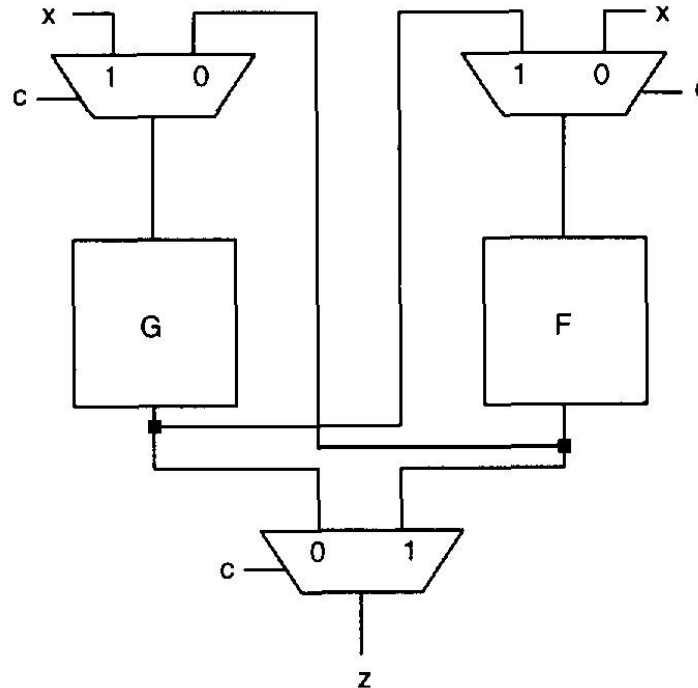
- Same as Lustre:



Rejected, unless A or B is Moore machine

What about this?

```
z = if c then
    F(G(x))
else
    G(F(x))
```



Cyclic combinational circuit.

Useful: equivalent acyclic circuit is almost 2x larger

[Malik'94]

Can we give meaning to cyclic synchronous models?

- Think of them as fix-point equations:

$$- \mathbf{x} = \mathbf{F}(\mathbf{x})$$

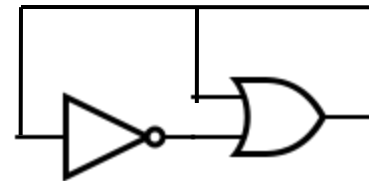
- What is the meaning of these:

$$- \mathbf{x} = \text{not } \mathbf{x}$$

$$- \mathbf{x} = \mathbf{x}$$

- Is unique solution enough?

$$- \mathbf{x} = \mathbf{x} \text{ or } \text{not } \mathbf{x}$$



Can we give meaning to cyclic synchronous models?

- Think of them as fix-point equations:

$$- \mathbf{x} = \mathbf{F}(\mathbf{x})$$

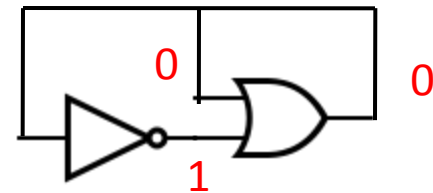
- What is the meaning of these:

$$- \mathbf{x} = \text{not } \mathbf{x}$$

$$- \mathbf{x} = \mathbf{x}$$

- Is unique solution enough?

$$- \mathbf{x} = \mathbf{x} \text{ or } \text{not } \mathbf{x}$$



Can we give meaning to cyclic synchronous models?

- Think of them as fix-point equations:

$$- \mathbf{x} = \mathbf{F}(\mathbf{x})$$

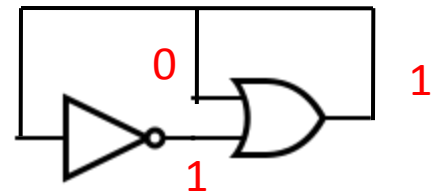
- What is the meaning of these:

$$- \mathbf{x} = \text{not } \mathbf{x}$$

$$- \mathbf{x} = \mathbf{x}$$

- Is unique solution enough?

$$- \mathbf{x} = \mathbf{x} \text{ or } \text{not } \mathbf{x}$$



Can we give meaning to cyclic synchronous models?

- Think of them as fix-point equations:

$$- \mathbf{x} = \mathbf{F}(\mathbf{x})$$

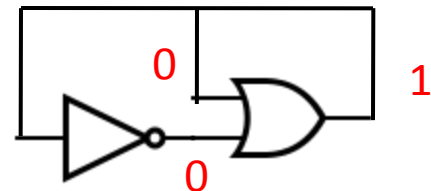
- What is the meaning of these:

$$- \mathbf{x} = \text{not } \mathbf{x}$$

$$- \mathbf{x} = \mathbf{x}$$

- Is unique solution enough?

$$- \mathbf{x} = \mathbf{x} \text{ or } \text{not } \mathbf{x}$$



Can we give meaning to cyclic synchronous models?

- Think of them as fix-point equations:

$$- \mathbf{x} = \mathbf{F}(\mathbf{x})$$

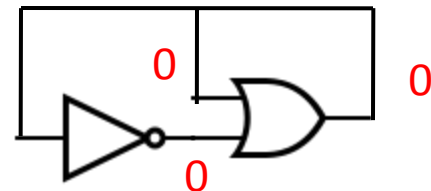
- What is the meaning of these:

$$- \mathbf{x} = \text{not } \mathbf{x}$$

$$- \mathbf{x} = \mathbf{x}$$

- Is unique solution enough?

$$- \mathbf{x} = \mathbf{x} \text{ or } \text{not } \mathbf{x}$$

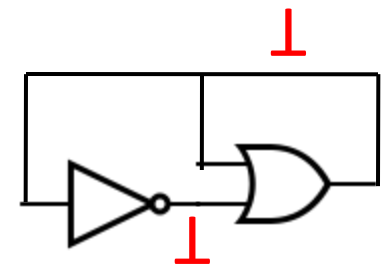
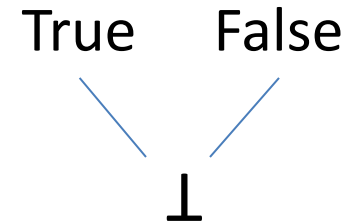


Constructive semantics

- Reason in constructive logic instead of classical logic
- “ x or not x ” not an axiom
- Then we cannot prove $x=1$ from:
 $\neg x = x \text{ or } \text{not } x$

Constructive semantics

- Fix-point analysis in a flat CPO:
 - Start with “bottom” (undefined), iterate until fix-point is reached:
 - Guaranteed in finite number of iterations, because no. signals and no. values are both finite
 - If solution contains no undefined values, then circuit is constructive
- In our example:
 - $x = x \text{ or } \text{not } x$
 - Bottom is the fix-point
 - Circuit not constructive

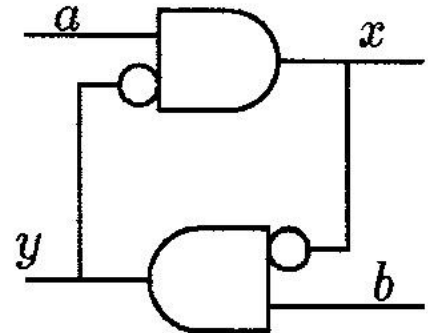


Constructive semantics: theoretical basis

- Kleene fixed point theorem:
 - Let L be a CPO and $f : L \rightarrow L$ be a continuous (and therefore monotone) function. Then f has a least fixed point equal to $\sup \{ \text{bot}, f(\text{bot}), f(f(\text{bot})), \dots \}$
- In our flat CPO, continuous = monotone:
 - Non-monotone: $f(\text{bot}) > f(a)$, where a is not bot
 - Not a realistic function
- In our flat CPO, termination is guaranteed.

Constructive semantics

- Another example:
 - $x = a$ and not y
 - $y = b$ and not x
- Here we have external inputs, must try for all possible input combinations
- Exercise!



Summary

- Synchronous model of computation:
 - Widespread, many languages, many applications
 - Easier to understand, easier to verify (than asynchronous interleaving)
 - Interesting semantically
- To go further:
 - Interesting implementation problems: how to preserve the properties that the synchronous abstraction provides (determinism, values, ...) during implementation?
 - Especially on asynchronous, distributed execution platforms
 - How to add dynamicity, adaptivity, reconfigurability, ... ?

Questions?

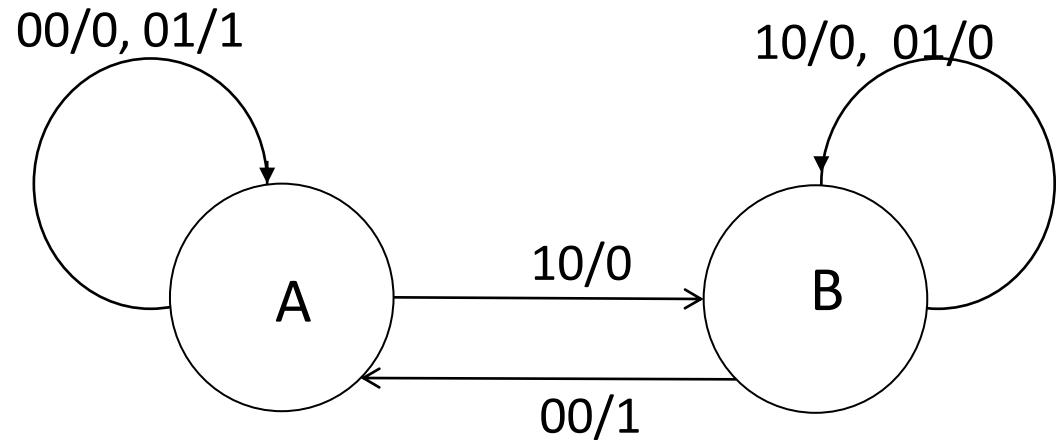
References

- State machines (Moore, Mealy, ...):
 - Switching and Finite Automata Theory. Zvi Kohavi, McGraw-Hill, 1978.
- Synchronous block diagrams:
 - Lubliner and Tripakis papers on modular code generation: available from <http://www-verimag.imag.fr/~tripakis/publis.html>
- Synchronous languages:
 - “The synchronous languages 12 years later”, Proc. IEEE, Jan 2003, and references therein.
- Constructive semantics:
 - Sharad Malik. **Analysis of cyclic combinational circuits**. ICCAD 1993.
 - Gerard Berry. **The Constructive Semantics of Pure Esterel**. Draft book, 1996, downloadable, google it.
- General, overview:
 - P. Caspi, P. Raymond and S. Tripakis. **Synchronous Programming**. In I. Lee, J. Leung, and S. Son, editors, *Handbook of Real-Time and Embedded Systems*. Chapman & Hall, 2007. Available from site above.

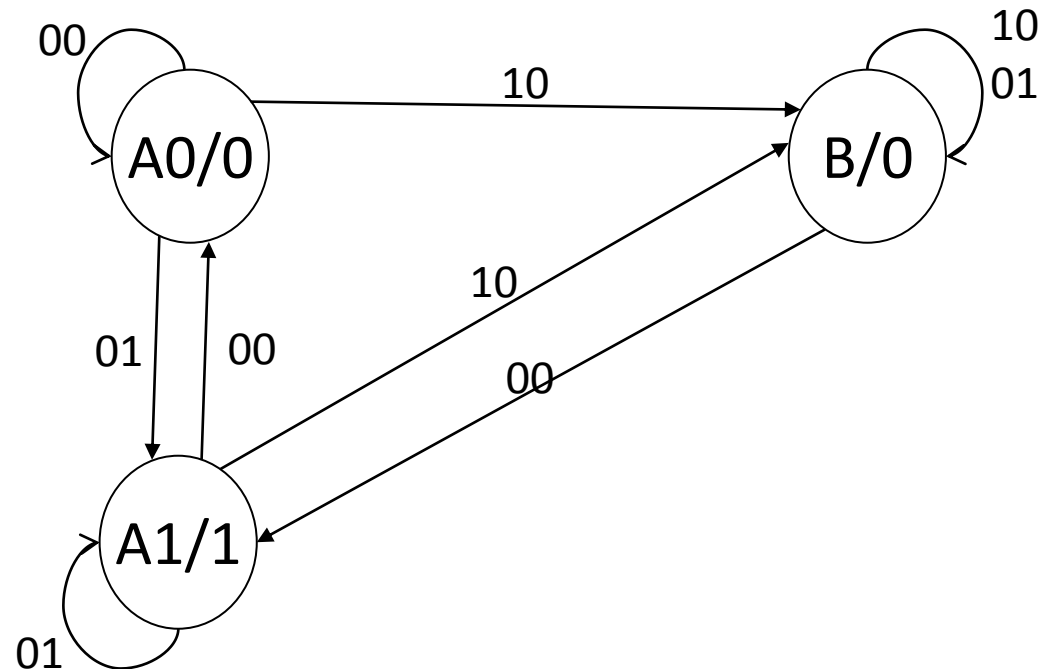
Back-up slides

From Mealy to Moore

Mealy Machine



Moore Machine



Moore vs. Mealy machines

- Every Moore machine is also a Mealy machine
 - Why?
- Every Mealy machine can be transformed to an equivalent Moore machine
 - How?
 - What's the cost?
 - What does “equivalent” mean?